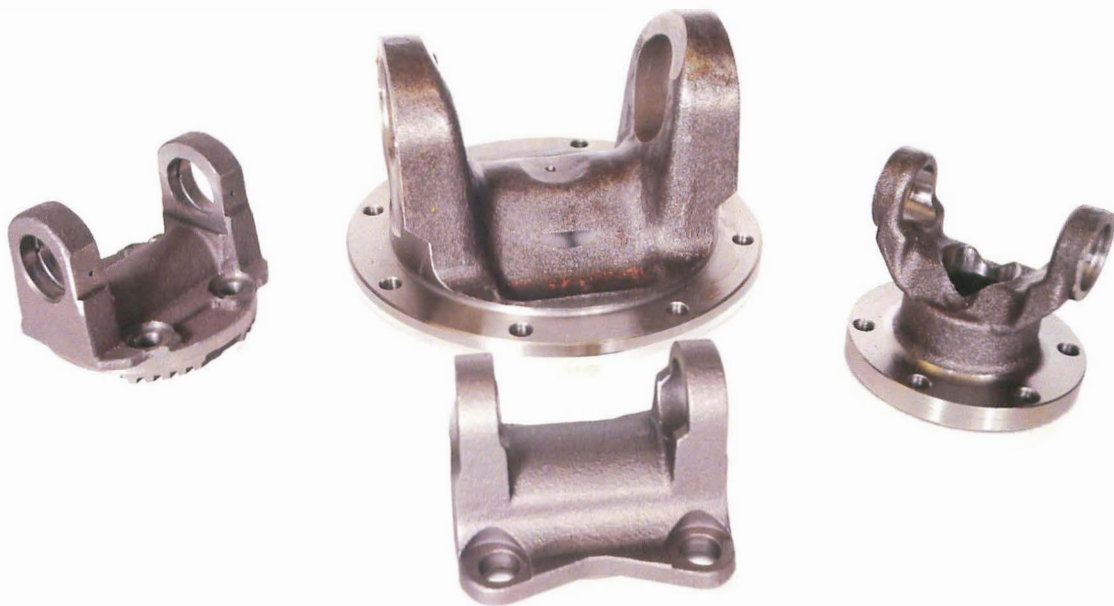


ROCKFORD DRIVELINE 

# *FLANGE YOKES*



***LIGHT DUTY / MEDIUM DUTY / HEAVY DUTY  
INCLUDING CONVERSION DESIGNS***

# How to Use This Section

Determine which type of flange yoke you need by referring to the illustrations and descriptions at the top of each page.

## To identify a (Flange Yoke)

1. Determine the yoke type you need listed at the top of each page.  
**Standard Applications** indicate the flange yoke uses round bearings.  
**Bearing Plate Applications** indicate the flange yoke is only used on applications requiring a universal joint mounted by bearing plates.  
**Conversion Applications** indicate the flange yoke is used to convert different designed flanges to fit more common series universal joints.
2. Determine the **Series** of the yoke. For Standard, Bearing Plate & Conversion applications this can be determined by measuring the bearing diameter **(A)** and snap ring lockup **(B)**.
3. Determine the **Pilot Diameter** & Style (M - Male / F - Female) **(C)**.
4. Next determine the number of **Holes** & **Bolt Hole Dimension (D)**, followed by the Bolt Hole Pattern **(E & F)**

Centerline to Flange End (G) dimensions & Bolt Circle are also included for additional identification.

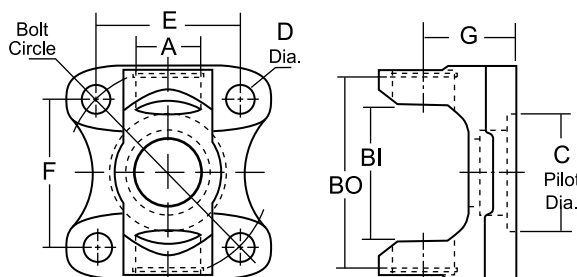
RDL Part No.	Yoke Type	A Bearing Dia.	BI / BO U-Joint Lockup	C Pilot Dia.	Bolt Hole Dim.				CL to Flng End	G Bolt Circle
					Holes	D	E	F		

### 1350 Series

Use RDL Kit - K178

R3-2-1579	Type 1	1.188	3.622-(O)	2.000-F	4	.500	3.000	3.000	1.563	4.250
R3-2-119	Type 1	1.188	3.622-(O)	2.750-M	4	.438	2.875	2.406	1.563	3.750

# FLANGE YOKE (Standard Applications)

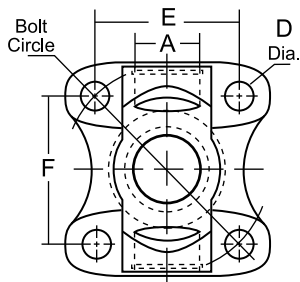


Type 1

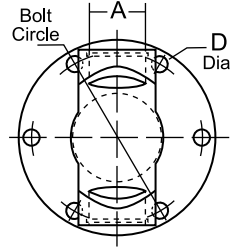
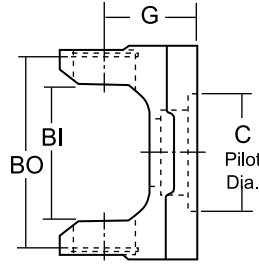
RDL Part No.	Yoke Type	A Bearing Dia.	BI / BO U-Joint Lockup	C Pilot Dia.	Bolt Hole Dim.			G CL to Flng End	Bolt Circle	
					Holes	D	E			F
<b>2R Series</b>					<b>Use RDL Kit - K2011</b>					
R2R-2-293	Type 1	1.000	2.339-(I)	2.375-M	4	.380	2.389	2.002	1.438	3.120
<b>1210 Series</b>					<b>Use RDL Kit - K443</b>					
R2-2-1049	Type 1	1.063	2.437-(O)	2.000-F	4	.484	2.469	2.469	1.625	3.500
<b>1210 Series (Conversion Applications)</b>					<b>Use RDL Kit - K443</b>					
R2-2-2323**	Type 1	1.063	2.437-(O)	1.809-M	4	.328	2.167	2.167	1.500	3.063
R2-2-899	Type 1	1.063	2.437-(O)	2.250-M	4	.328	2.106	1.766	1.484	2.750
R2-2-1050	Type 1	1.063	2.437-(O)	2.875-F	4	.413	2.784	2.784	1.625	3.937
					*Toyota Bolt Pattern					
					*Nissan & Toyota Bolt Pattern					
					*GM Cage & Ball Housings					
<b>1310 Series</b>					<b>Use RDL Kit - K153</b>					
R2-2-939	Type 1	1.063	3.217-(O)	2.000-F	4	.484	2.469	2.469	1.625	3.500
R2-2-1379	Type 1	1.063	3.217-(O)	2.000-F	4	.484	3.000	3.000	1.625	4.250
R2-2-329	Type 1	1.063	3.217-(O)	2.375-M	4	.375	2.390	2.015	1.375	3.125
R2-2-459	Type 1	1.063	3.217-(O)	2.375-M	4	.375	2.390	2.015	1.625	3.125
R2-2-1949	Type 1	1.063	3.217-(O)	2.558-M	4	.484	2.651	2.651	1.781	3.750
R2-2-479	Type 1	1.063	3.217-(O)	2.750-M	4	.438	2.875	2.412	1.375	3.750
<b>1310 Series (Conversion Applications)</b>					<b>Use RDL Kit - K153</b>					
R2-2-3173	Type 1	1.063	3.217-(O)	1.770-M	4	.406	2.677	2.677	1.625	3.781
					*Mazda Bolt Pattern					
R2-2-799	Type 1	1.063	3.217-(O)	1.809-M	4	.328	2.520	2.202	1.375	3.343
					*Toyota Bolt Pattern					

\*\* New addition to MC1014-2 catalog

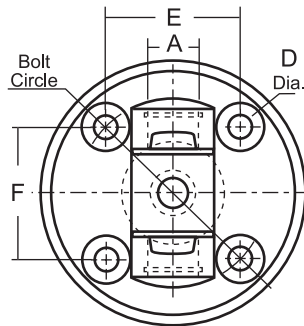
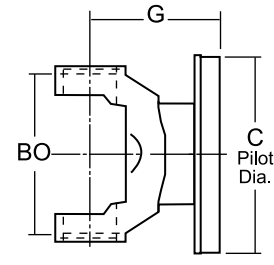
# FLANGE YOKE (Standard Applications)



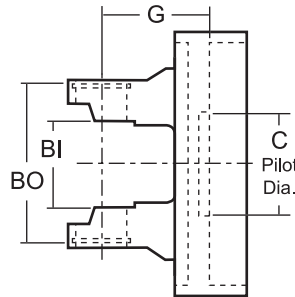
Type 1



Type 2



Type 8



RDL Part No.	Yoke Type	A Bearing Dia.	BI / BO U-Joint Lockup	C Pilot Dia.	Holes	Bolt Hole Dim.			G CL to Flng End	Bolt Circle
						D	E	F		

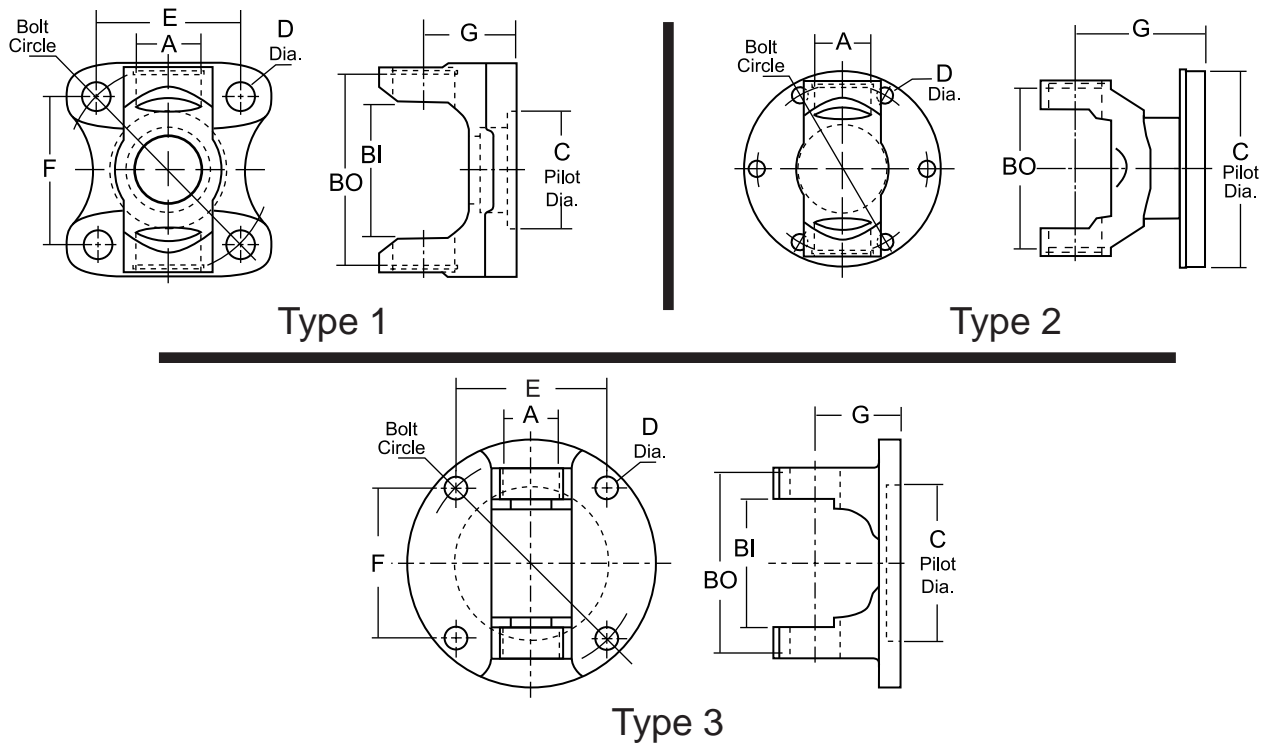
**1310 Series (Conversion Applications) cont.**

**Use RDL Kit - K153**

R2-2-799-1	Type 1	1.063	3.217-(O)	1.809-M	4	.406	2.358	2.358	1.375	3.330
										<b>*Toyota Bolt Pattern</b>
R2-2-799-2	Type 1	1.063	3.217-(O)	1.809-M	4	.406	2.520	2.202	1.375	3.340
										<b>*Toyota Bolt Pattern</b>
R2-2-799-3	Type 1	1.063	3.217-(O)	1.809-M	4	.406	2.696	2.364	1.563	3.575
										<b>*Toyota Bolt Pattern</b>
R2-2-799-4	Type 1	1.063	3.217-(O)	1.809-M	4	.445	2.596	2.596	1.563	3.670
										<b>*Toyota Bolt Pattern</b>
R2-2-4811	Type 1	1.063	3.217-(O)	1.849-M	4	.406	2.358	2.358	1.375	3.330
										<b>*BMW Bolt Pattern</b>
<b>R2-2-3201**</b>	Type 8	1.063	3.217-(O)	2.163-F	4	.490	2.780	2.780	2.125	3.938
										<b>*Jeep Bolt Pattern</b>
<b>R2-2-3200**</b>	Type 1	1.063	3.217-(O)	2.163-F	4	.490	3.200	3.200	2.125	4.500
										<b>*Jeep Bolt Pattern</b>
R2-2-3100	Type 1	1.063	3.217-(O)	2.363-M	4	.438	2.390	2.015	1.625	3.125
										<b>*Jeep Cage &amp; Ball Housings</b>
R2-2-3192	Type 1	1.063	3.217-(O)	2.363-M	4	.393	2.390	2.015	1.625	3.125
										<b>*Land Rover Discovery Bolt Pattern</b>
R2-2-1519	Type 1	1.063	3.217-(O)	2.563-M	4	.406	2.706	1.967	1.625	3.346
										<b>*Isuzu Bolt Pattern</b>

\*\* New addition to MC1014-2 catalog

# FLANGE YOKE (Standard Applications)



RDL Part No.	Yoke Type	A Bearing Dia.	BI / BO U-Joint Lockup	C Pilot Dia.	Bolt Hole Dim.			G CL to Flng End	Bolt Circle
					Holes	D	E		

### 1310 Series (Conversion Applications) cont.

**Use RDL Kit - K153**

R2-2-3149	Type 1	1.063	3.217-(O)	2.875-F	4	.413	2.784	2.784	1.625	3.937
									*GM Cage & Ball Housings	
R2-2-3185	Type 2	1.063	3.217-(O)	3.819-M	6	.328	—	—	2.656	3.375
									*Jeep Cage & Ball Housings	
R2-2-3101	Type 2	1.063	3.217-(O)	3.914-M	6	.328	—	—	2.656	3.375
									*Jeep Cage & Ball Housings	
R2-2-3102	Type 2	1.063	3.217-(O)	4.093-M	6	.344	—	—	2.656	3.586
									*Ford Cage & Ball Housings	

### 1330 Series

**Use RDL Kit - K1203 or K213**

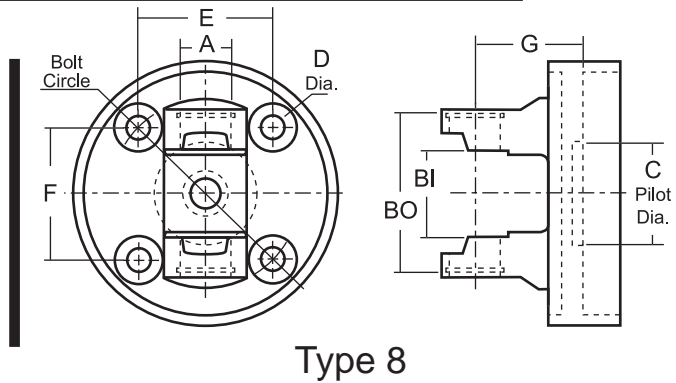
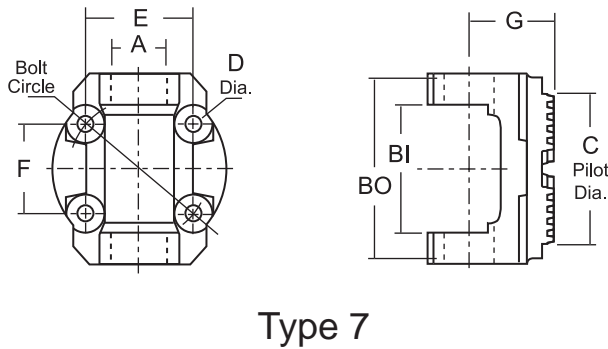
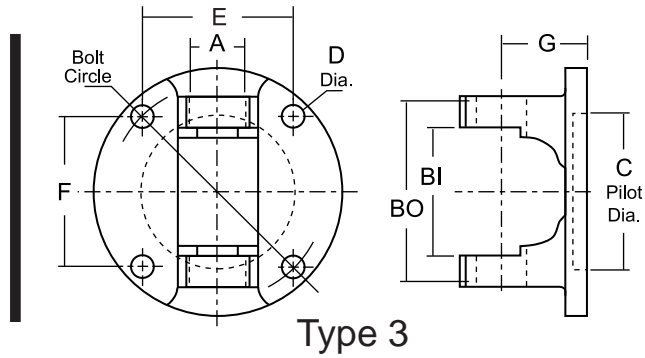
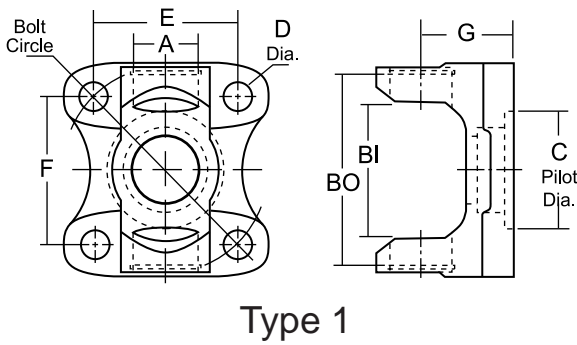
R2-2-949	Type 1	1.063	3.622-(O)	2.000-F	4	.484	2.469	2.469	1.625	3.500
R2-2-1369	Type 1	1.063	3.622-(O)	2.000-F	4	.500	3.000	3.000	1.688	4.250
R2-2-1879	Type 1	1.063	3.622-(O)	2.161-F	4	.480	2.784	2.784	1.875	3.937

### 1330 Series (Conversion Applications)

**Use RDL Kit - K1203 or K213**

R2-2-1399	Type 3	1.063	3.622-(O)	3.125-F	4	.453	3.000	3.000	1.688	4.250
									*Saginaw Bolt Pattern	
R2-2-3189	Type 2	1.063	3.622-(O)	3.625-M	4	.418	3.150	3.150	3.438	4.455
									*Hummer H3 & GMC Colorado Cage & Ball Housings	

# FLANGE YOKE (Standard Applications)



RDL Part No.	Yoke Type	A Bearing Dia.	BI / BO U-Joint Lockup	C Pilot Dia.	Bolt Hole Dim.			G CL to Flng End	Bolt Circle
					Holes	D	E		

### 430 Series (Staked-In Applications)\*

**Use RDL Kit - K178**

414-3350**	Type 1	1.066	1.780-(I)	2.163-F	4	.490	3.200	3.200	2.125	4.500
414-3351**	Type 8	1.066	1.780-(I)	2.163-F	4	.490	2.780	2.780	2.125	3.938

\*Jeep Bolt Pattern  
\*Jeep Bolt Pattern

### 3R Series

**Use RDL Kit - K3147**

R3R-2-675	Type 1	1.125	2.563-(I)	2.163-F	4	.502	2.783	2.783	1.938	3.938
R3R-2-8268	Type 3	1.125	2.563-(I)	3.125-F	4	.453	3.000	3.000	1.703	4.250
R3R-2-9801	Type 7	1.125	2.563-(I)	Serrated	4	.335	2.235	1.875	2.087	2.913

### 2.5R Series

**Use RDL Kit - K1510**

R25-2-422	Type 1	1.142	2.047-(I)	1.809-M	4	.328	2.520	2.202	1.438	3.340
R25-2-422A	Type 1	1.142	2.047-(I)	1.809-M	4	.406	2.358	2.358	1.768	3.334
R25-2-422B	Type 1	1.142	2.047-(I)	1.809-M	4	.406	2.364	2.696	1.768	3.586

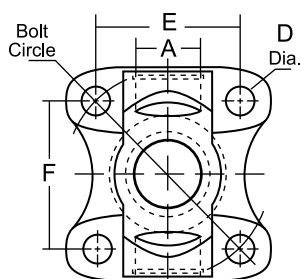
### 2.5R Series (You Drill It - No Holes)

**Use RDL Kit - K1510**

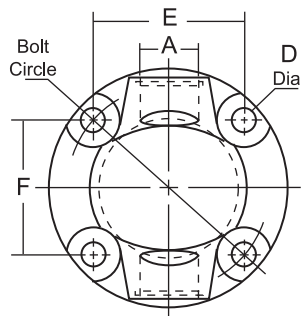
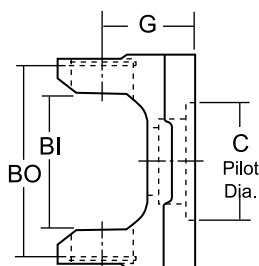
R25-2-422ALH	Type 1	1.142	2.047-(I)	1.809-M	0	solid	solid	solid	1.768	solid
--------------	--------	-------	-----------	---------	---	-------	-------	-------	-------	-------

\*Toyota Pilot, no bolt holes. Drill to suit your needs

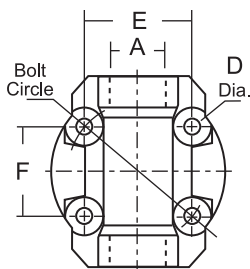
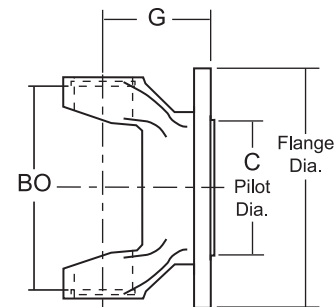
# FLANGE YOKE (Standard Applications)



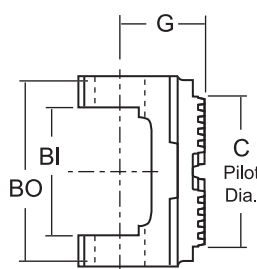
Type 1



Type 6



Type 7



RDL Part No.	Yoke Type	A Bearing Dia.	BI / BO U-Joint Lockup	C Pilot Dia.	Bolt Hole Dim.			G CL to Flng End	Bolt Circle
					Holes	D	E		

## 1350 Series

Use RDL Kit - K178

R3-2-1579	Type 1	1.188	3.622-(O)	2.000-F	4	.500	3.000	3.000	1.563	4.250
R3-2-1699	Type 1	1.188	3.622-(O)	2.680-F	4	M12x1.75	3.000	3.000	1.500	4.250
R3-2-16990	Type 1	1.188	3.622-(O)	2.680-F	4	.470	3.000	3.000	1.500	4.250
R3-2-119	Type 1	1.188	3.622-(O)	2.750-M	4	.438	2.875	2.406	1.563	3.750
R3-2-5913	Type 1	1.188	3.622-(O)	2.859-F	4	.500	3.182	3.182	2.000	4.500
<b>R3-2-8359**</b>	Type 7	1.188	3.622-(O)	Serrated	4	.335	2.235	1.875	2.087	2.913

## 1410 Series

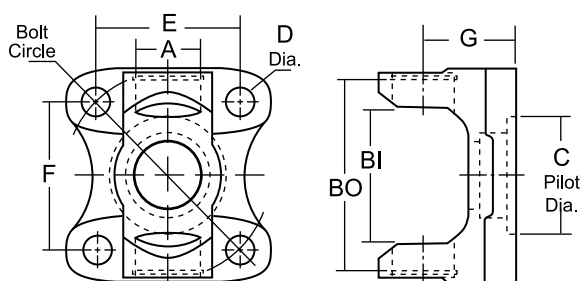
Use RDL Kit - K160

R3-2-1819	Type 1	1.188	4.182-(O)	2.000-F	4	.500	3.000	3.000	1.625	4.250
<b>R3-2-5207<sup>HA</sup>**</b>	Type 6	1.188	4.182-(O)	2.000-F	4	.500	3.000	3.000	3.375	4.250
<b>R3-2-3204**</b>	Type 1	1.188	4.182-(O)	2.680-F	4	M12x1.75	3.000	3.000	1.625	4.250
<b>R3-2-6691<sup>HA</sup>**</b>	Type 6	1.188	4.182-(O)	2.750-M	4	.438	2.688	2.688	3.375	3.750
R3-2-159	Type 1	1.188	4.182-(O)	2.750-M	4	.438	2.875	2.406	1.688	3.750
<b>R3-2-6683<sup>HA</sup>**</b>	Type 6	1.188	4.182-(O)	2.750-M	4	.438	2.875	2.406	3.375	3.750
R3-2-3700	Type 6	1.188	4.182-(O)	70mm-M	4	.480	3.018	2.538	2.167	3.940
<b>R3-2-1839**</b>	Type 1	1.188	4.182-(O)	2.937-F	4	.510	3.359	3.359	2.000	4.750
<b>R3-2-6681<sup>HA</sup>**</b>	Type 6	1.188	4.182-(O)	3.125-F	4	.500	3.000	3.000	3.375	4.250
R3-2-2500	Type 1	1.188	4.182-(O)	3.750-M	4	.510	3.359	3.359	2.094	4.750
R3-2-429	Type 1	1.188	4.182-(O)	3.750-M	4	.500	3.640	3.031	2.000	4.750

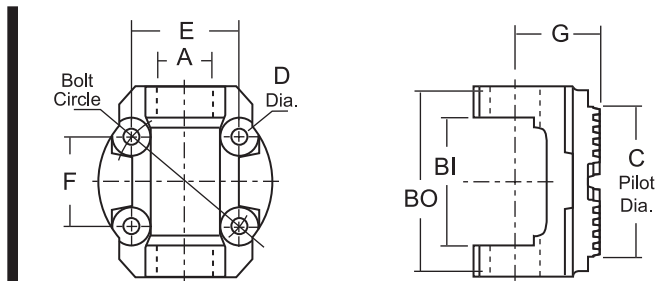
\*\* New addition to MC1014-2 catalog  
HA - High angle option - 30° of operation



# FLANGE YOKE (Standard Applications)



Type 1



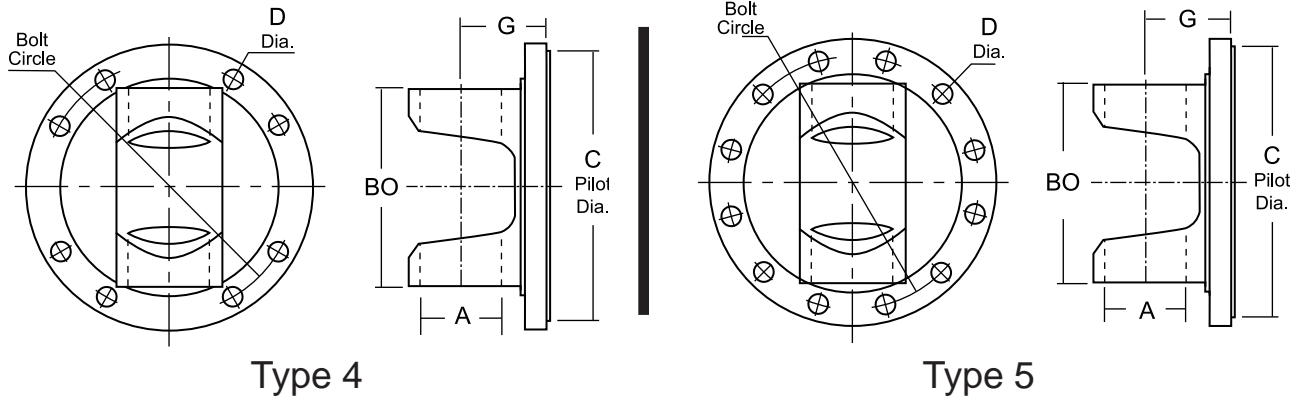
Type 7

RDL Part No.	Yoke Type	A Bearing Dia.	BI / BO U-Joint Lockup	C Pilot Dia.	Bolt Hole Dim.			G CL to Flng End	Bolt Circle	
					Holes	D	E			F
<b>1480 Series</b>		<b>Use RDL Kit - K188</b>								
R3-2-3205**	Type 1	1.188	3.622-(O)	2.680-F	4	M12x1.75	3.000	3.000	1.797	4.250
R3-2-479	Type 1	1.375	4.182-(O)	3.750-M	4	.500	3.640	3.031	2.000	4.750
<b>1485 Series - AAM</b>		<b>Use RDL Kit - K1485</b>								
R3-2-2502	Type 1	1.375	4.177-(O)	3.750-M	4	.500	3.359	3.359	2.250	4.750
<b>1550 Series</b>		<b>Use RDL Kit - K155</b>								
R4-2-669	Type 1	1.375	4.966-(O)	3.750-M	4	.500	3.640	3.031	2.000	4.750
<b>1555 Series - AAM</b>		<b>Use RDL Kit - K1555</b>								
R4-2-8046	Type 7	1.375	4.960-(O)	Serrated	4	.413	3.359	3.359	2.750	4.750
R4-2-8047	Type 1	1.375	4.960-(O)	3.750-M	4	.500	3.359	3.359	2.250	4.750

\*\* New addition to MC1014-2 catalog



# FLANGE YOKE (Bearing Plate Applications)



RDL Part No.	Yoke Type	A Bearing Dia.	BI / BO U-Joint Lockup	C Pilot Dia.	Bolt Hole Dim.			G CL to Flng End	Bolt Circle	
					Holes	D	E			F
<b>1610 Series</b>		<b>Use RDL Kit - K279</b>								
R5-2-279	Type 4	1.875	5.312-(O)	6.625-M	8	.375	—	—	2.750	6.125
<b>1710 Series</b>		<b>Use RDL Kit - K280</b>								
R6-2-749	Type 4	1.938	6.094-(O)	7.750-M	8	.375	—	—	3.000	7.250
<b>1810 Series</b>		<b>Use RDL Kit - K281</b>								
R6.5-2-329	Type 5	1.938	7.547-(O)	7.750-M.	12	.438	—	—	3.375	7.250



# PART NUMBER INTERCHANGE LIST

MFG. NO.	OUR NO.	MFG. NO.	OUR NO.	MFG. NO.	OUR NO.
<b>AAM (American Axle)</b>		<b>Neapco (Cont.)</b>		<b>Spicer</b>	
40030675.....	R3R-2-675	N3-2-119.....	R3-2-119	2-2-329.....	R2-2-329
40038046.....	R4-2-8046	N3-2-141.....	R3-2-5913	2-2-459.....	R2-2-459
40038047.....	R4-2-8047	N3-2-159.....	R3-2-159	2-2-479.....	R2-2-479
74082500.....	R3-2-2500	N3-2-429.....	R3-2-429	2-2-899.....	R2-2-899
74082502.....	R3-2-2502	N3-2-479.....	R3-2-479	2-2-939.....	R2-2-939
74085913.....	R3-2-5913	N3R-2-8268.....	R3R-2-8268	2-2-949.....	R2-2-949
74088268.....	R3R-2-8268	N4-2-669.....	R4-2-669	2-2-1049.....	R2-2-1049
74088507.....	R3-2-2502	N5-2-279.....	R5-2-279	2-2-1369.....	R2-2-1369
74089801.....	R3R-2-9801	N6-2-749.....	R6-2-749	2-2-1379.....	R2-2-1379
		N6.5-2-329.....	R6.5-2-329	2-2-1399.....	R2-2-1399
<b>Meritor</b>		<b>PTI (Powertrain Industries)</b>		2-2-1519.....	R2-2-1519
121N-2-899.....	R2-2-899	1302-15.....	R25-2-422A	2-2-1609.....	R2-2-3100
121N-2-1049.....	R2-2-1049	1302-16.....	R25-2-422	2-2-1679.....	R2-2-799-1
121N-2-1050.....	R2-2-1050	2101-50.....	R2-2-1050	2-2-1879.....	R2-2-1879
131N-2-329.....	R2-2-329	3102-15.....	R2-2-799-1	2-2-1949.....	R2-2-1949
131N-2-479.....	R2-2-479	3102-16.....	R2-2-799	3-2-119.....	R3-2-119
131N-2-799.....	R2-2-799	3102-18.....	R2-2-799-2	3-2-159.....	R3-2-159
131N-2-799-1.....	R2-2-799-1	3102-86.....	R2-2-3101	3-2-1579.....	R3-2-1579
131N-2-939.....	R2-2-939	3102-91.....	R2-2-3102	3-2-1699.....	R3-2-1699
135N-2-119.....	R3-2-119	3102-063.....	R2-2-3201	3-2-1789.....	R3-2-2500
141N-2-159.....	R3-2-159	3102-216.....	R2-2-3200	3-2-1819.....	R3-2-1819
141N-2-429.....	R3-2-429	3302-1369.....	R2-2-1369	3-2-1839.....	R3-2-1839
148N-2-479.....	R3-2-479	3502-1579.....	R3-2-1579	3-2-429.....	R3-2-429
155N-2-669.....	R4-2-669	3R02-21.....	R3R-2-8268	3-2-479.....	R3-2-479
16N-2-279.....	R5-2-279	4102-1709.....	R3-2-3204	4-2-669.....	R4-2-669
R3R-2-8268.....	R3R-2-8268	5502-371.....	R4-2-8047	5-2-279.....	R5-2-279
		5502-531.....	R4-2-8046	6-2-749.....	R6-2-749
				6.5-2-329.....	R6.5-2-329
<b>Neapco</b>		<b>Rockford (Old Numbers)</b>			
N2-2-329.....	R2-2-329	404-31FY.....	R2-2-939		
N2-2-329-1.....	R2-2-3100	404-31FYA.....	R2-2-3101		
N2-2-459.....	R2-2-459	404-31FYC.....	R2-2-3100		
N2-2-479.....	R2-2-479	408-31FY.....	R2-2-1050		
N2-2-799.....	R2-2-799	408-31FYA.....	R2-2-1050		
N2-2-799-1.....	R2-2-799-1	410-31FY.....	R3R-2-8268		
N2-2-899.....	R2-2-899	422.....	R25-2-422		
N2-2-939.....	R2-2-939	422A.....	R25-2-422A		
N2-2-1049.....	R2-2-1049				
N2-2-1050.....	R2-2-1050				
N2-2-1369.....	R2-2-1369				
N2-2-1379.....	R2-2-1379				
N2-2-1757.....	R2-2-3102				
N2-2-2323.....	R2-2-2323				

PART NUMBER	PG	PART NUMBER	PG
<b>414-2-3350**</b> .....	6	R3-2-479 .....	8
<b>414-2-3351**</b> .....	6	R3-2-1579 .....	7
R2-2-329 .....	3	R3-2-1699 .....	7
R2-2-459 .....	3	R3-2-1819 .....	7
R2-2-479 .....	3	<b>R3-2-1839**</b> .....	7
R2-2-799 .....	3	R3-2-2500.....	7
R2-2-799-1 .....	4	R3-2-2502.....	8
R2-2-799-2 .....	4	<b>R3-2-3204**</b> .....	7
R2-2-799-3 .....	4	<b>R3-2-3205**</b> .....	8
R2-2-799-4 .....	4	R3-2-3700 .....	7
R2-2-899 .....	3	<b>R3-2-5207**</b> .....	7
R2-2-939 .....	3	R3-2-5913 .....	7
R2-2-949 .....	5	<b>R3-2-6681**</b> .....	7
R2-2-1049 .....	3	<b>R3-2-6683**</b> .....	7
R2-2-1050 .....	3	<b>R3-2-6691**</b> .....	7
R2-2-1369 .....	5	<b>R3-2-8359**</b> .....	7
R2-2-1379 .....	3	R3-2-16990.....	7
R2-2-1399 .....	5	R3R-2-675.....	6
R2-2-1519 .....	4	R3R-2-8268 .....	6
R2-2-1879 .....	5	R3R-2-9801 .....	6
R2-2-1949 .....	3	R4-2-669 .....	8
<b>R2-2-2323**</b> .....	3	R4-2-8046.....	8
R2-2-3100 .....	4	R4-2-8047.....	8
R2-2-3101 .....	5	R5-2-279 .....	9
R2-2-3102 .....	5	R6-2-749 .....	9
R2-2-3149 .....	5	R6.5-2-329 .....	9
R2-2-3173 .....	3		
R2-2-3185 .....	5		
R2-2-3189 .....	5		
R2-2-3192 .....	4		
<b>R2-2-3200**</b> .....	4		
<b>R2-2-3201**</b> .....	4		
R2-2-4811 .....	4		
<del>R25-2-422</del> .....	<del>6</del>		
R25-2-422A .....	6		
R25-2-422ALH .....	6		
R25-2-422B .....	6		
R2R-2-293 .....	3		
R3-2-119 .....	7		
R3-2-159 .....	7		
R3-2-429 .....	7		

\*\* New addition to MC1014-2 catalog

MANUFACTURER OF DRIVELINE COMPONENTS  
1500 11TH AVENUE ROCKFORD, ILLINOIS 61104  
PHONE (815) 962-1411 FAX (815) 965-4857  
[RockfordDriveLine.com](http://RockfordDriveLine.com)